

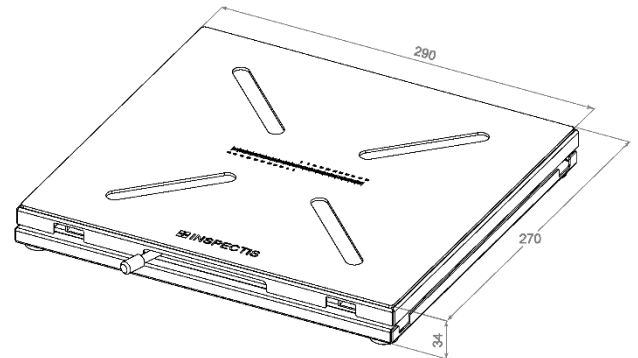
# XY Floating Board



Quality of Inspection

with Position Lock, Antistatic

The Inspectis XY Floating board provides smooth lateral movement of your inspection objects under the microscope. Equipped with position locking mechanism for maximum stability.



The working surface is covered by a high friction antistatic mat that keeps your inspection object in place. 4 slots are available for attaching optional magnetic pegs or custom made fixtures and holders.

Made of high quality antistatic coated material.

## Specification:

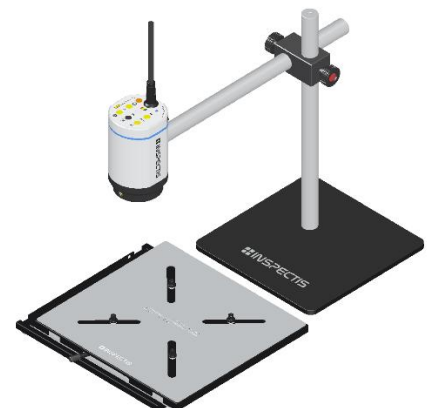
Size of the board	290x270 mm
XY travel	$\pm 160\text{mm} \times \pm 96\text{mm}$
Height	34 mm
Weight	2.5 kg (max)
Others	ESD protected.
Optional accessories	Magnetic pegs (4x).



## Ordering Number/Name

- HD-028-L** XY Floating Board with position lock
- HD-128** Magnetic pegs (4x)

Reseller:



MicroscopeWorld

V1, 2018

[www.inspect-is.com](http://www.inspect-is.com)